

Mi-T-M[®] CORPORATION

8650 Enterprise Drive, Peosta IA 52068

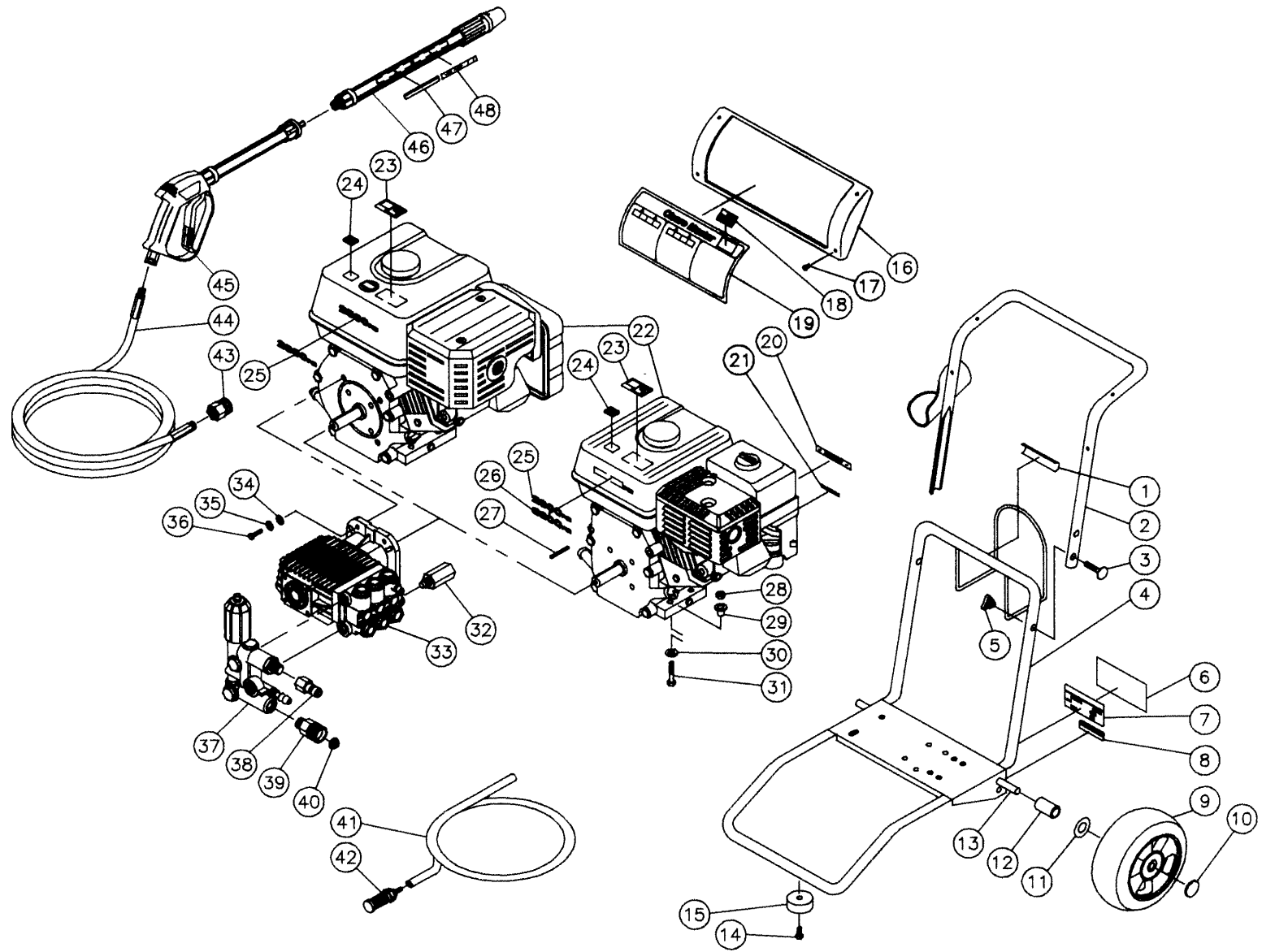
563-556-7484 / Fax 563-556-1235

www.mitm.com

PARTS LIST FOR CM-2800-0MVC CM-2804/3304-0MHC

Engine Oil Grade:	30W SE/SF/SG
Engine Oil Capacity:	
Honda:	37 oz.
Vanguard:	40 oz.
Pump Oil Grade:	Mi-T-M Pump Oil AW-4085-0016
Pump Oil Capacity:	14 oz.
Nozzle Size:	CM-2800 = 1.3mm
	CM-2804 = 1.3mm
	CM-3304 = 1.2mm

FRAME ASSEMBLY FOR CM-2800-OMVC & CM-2804/3304-OMHC

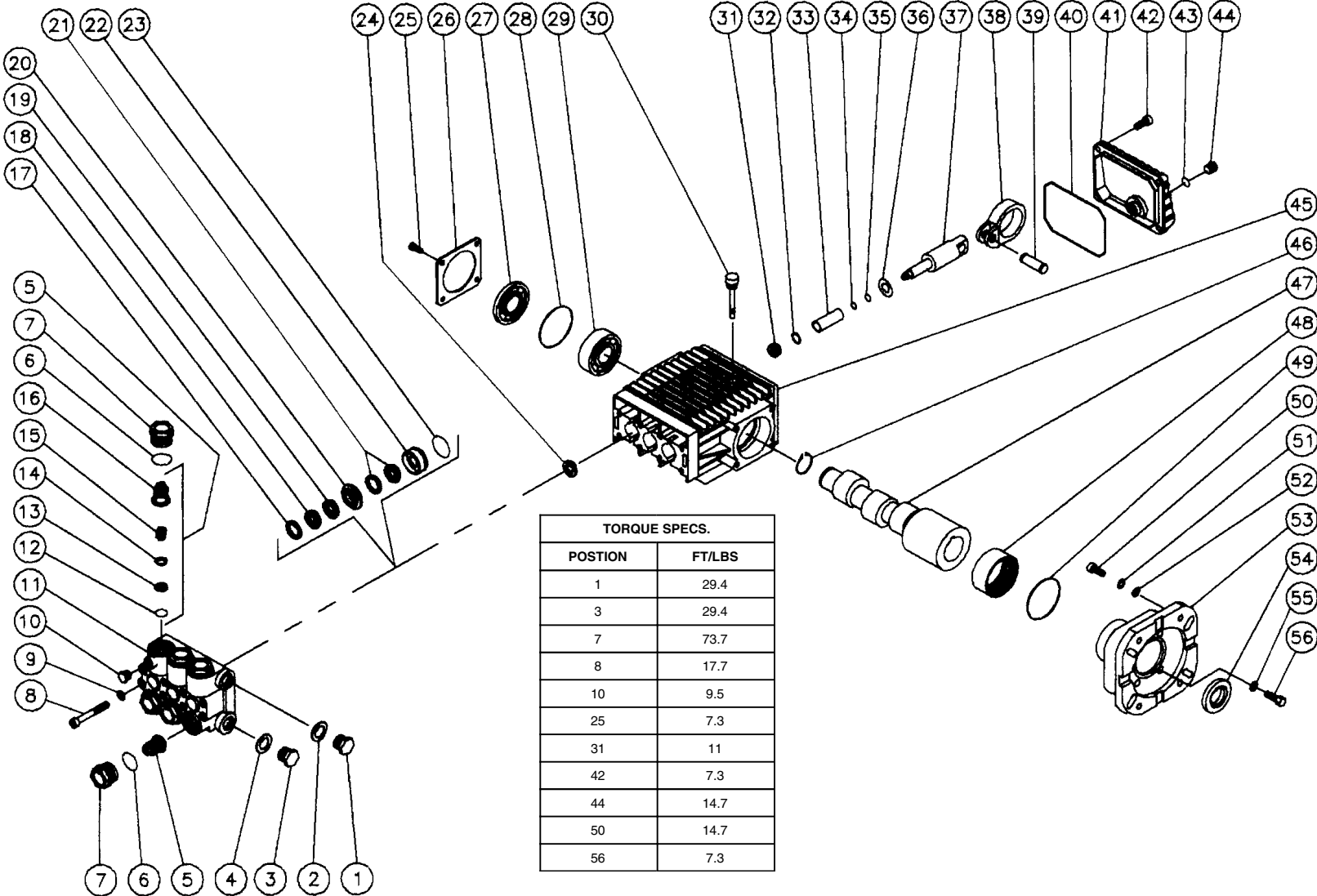


OMCH007-051096-JTR

FRAME ASSEMBLY FOR CM-2800-OMVC & CM-2804/3304-OMHC

Ref. #	Description	Part #	2800 Qty.	2804 Qty.	3304 Qty.	Ref. #	Description	Part #	2800 Qty.	2804 Qty.	3304 Qty.
1	Technical Service Number	34-0603	1	1	1	25	Decal-Orange Die Cut/2800 PSI	34-0554	1	1	
2	Handle	7-0106	1	1	1	26	Decal-Orange Die Cut/3000 PSI	34-0555			1
3	Carriage Bolt	31-0051	2	2	2	27	Key	43-0078	1	1	1
4	Frame	5-0102	1	1	1	28	Locknut	30-0157	4	4	4
5	Knob	7-0107	2	2	2	29	Engine Shim	33-0169	4	4	4
6	Decal-Clear Laminate	34-0210	1	1	1	30	Washer	28-0003	4	4	4
7	Decal-Silver I.D. Sticker	34-0486	1	1	1	31	Bolt	27-0070	4	4	4
8	Decal-Serial Number	N/A	1	1	1	32	Heat Dump Valve	22-0005	1	1	1
9	Wheel	14-0017	2	2	2	33	Pump	3-0120	1	1	1
10	Hub Cap	33-0018	2	2	2	34	Washer	28-0022	4	4	4
11	Washer	28-0008	2	2	2	35	Lockwasher	29-0008	4	4	4
12	Axle Spacer	20-0314	2	2	2	36	Bolt	27-0118	4	4	4
13	Axle	20-0351	1	1	1	37	Unloader	8-0216	1	1	1
14	Screw	27-3064	2	2	2	38	Quick Connect Plug	17-0006	1	1	1
15	Isolator	14-0007	2	2	2	39	Garden Hose Swivel	23-0095	1	1	1
16	Name Plate	62-0084	1	1	1	40	Filter	19-0001	1	1	1
17	Screw	27-3049	4	4	4	41	Detergent Hose	15-0021	4'	4'	4'
18	Decal-American Flag	34-0521	1	1	1	42	Detergent Strainer	19-0050	1	1	1
19	Decal-Warning: Pictorial	34-0471	1	1	1	43	Quick Connect Socket	17-0004	1	1	1
20	Decal-Throttle (CM-2804/3304-OMHC)	34-0459		1	1	44	Pressure Hose	15-0137	1	1	1
21	Decal-Choke Lever (CM-2804/3304-OMHC)	34-0458		1	1	45	Gun Assembly	16-0218	1	1	1
22	Engine-9.0 HP Vanguard (CM-2800-OMVC)	1-0070	1			46	Variable Nozzle (CM-2800/2804)	16-0220	1	1	
	Engine-9.0 HP Honda (CM-2804-OMHC)	1-0065		1			Variable Nozzle (CM-3304)	16-0219			1
	Engine-11.0 HP Honda (CM-3304-OMHC)	1-0039			1	47	Decal-Warning: Risk of Injection	34-0572	1	1	1
23	Decal-Warning: Muffler Hot	34-0130	1	1	1	48	Adjustable Nozzle	34-0457	1	1	1
24	Decal-Caution: Engine Fuel	34-0588	1	1	1						

PUMP ASSEMBLY (3-0120)

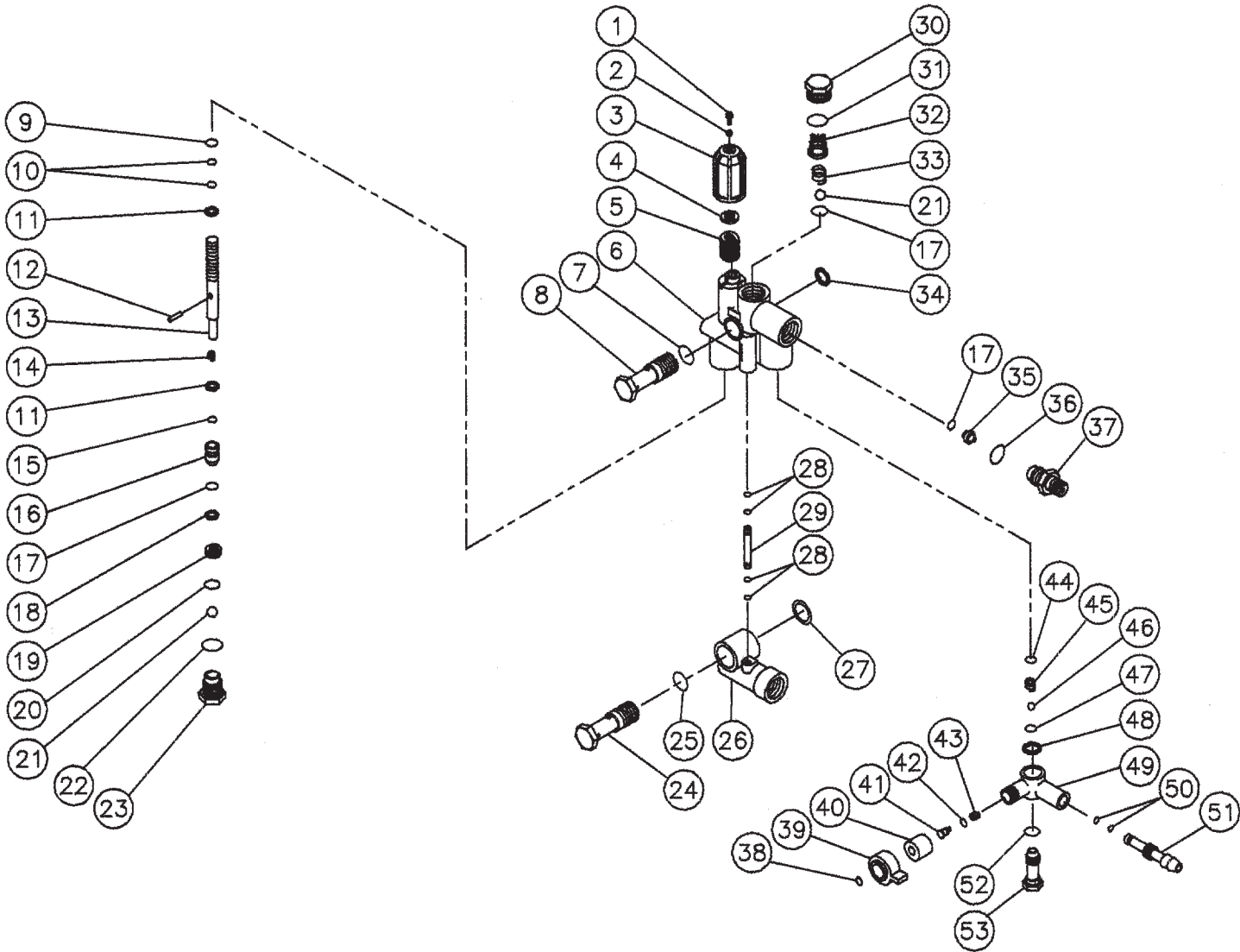


TORQUE SPECS.	
POSTION	FT/LBS
1	29.4
3	29.4
7	73.7
8	17.7
10	9.5
25	7.3
31	11
42	7.3
44	14.7
50	14.7
56	7.3

OMPMP017-110195-BAR

PUMP ASSEMBLY (3-0120)								
REF #	DESCRIPTION	PART #	QTY		REF #	DESCRIPTION	PART #	QTY
1	Plug	39-0018	1		31	Nut	46-0168	3
2	Washer	28-0600	1		32	Washer	46-0166	3
3	Plug	39-0019	1		33	Plunger	46-0228	3
4	Washer	28-0601	1		34	O-ring	25-0045	3
5	Valve Assembly (See 70-0028)	N/A Sep.	6		35	Back-up Ring	25-0143	3
6	O-ring	25-0012	6		36	Flinger Washer	28-1018	3
7	Valve Plug	39-0071	6		37	Piston Guide	46-0573	3
8	Bolt	27-8439	8		38	Connecting Rod	46-0572	3
9	Lockwasher	29-0154	8		39	Connecting Rod Pin	43-0079	3
10	Plug	39-0032	1		40	O-ring	25-0317	1
11	Pump Manifold	46-0566	1		41	Crankcase cover	46-0571	1
12	O-ring (See 70-0028)	N/A Sep.	6		42	Bolt	27-8401	5
13	Valve Seat (See 70-0028)	N/A Sep.	6		43	O-ring	25-0014	1
14	Valve Plate (See 70-0028)	N/A Sep.	6		44	Plug	39-0017	1
15	Valve Spring (See 70-0028)	N/A Sep.	6		45	Crankcase	46-0570	1
16	Valve Cage (See 70-0028)	N/A Sep.	6		46	Snap Ring	46-0104	1
17	Head Ring (See 852-0047)	N/A Sep.	6		47	Crankshaft	46-0569	1
18	V-Packing (See 852-0047)	N/A Sep.	6		48	Needle Bearing	48-0040	1
19	Re-stop V-Packing (See 852-0047)	N/A Sep.	3		49	O-ring	25-0316	1
20	High Pressure Intermediate Seal	46-0223	3		50	Bolt	27-0118	4
21	Low Pressure Seal	N/A	3		51	Lockwasher	29-0008	4
22	Low Pressure Seal Retainer	46-0567	3		52	Washer	28-0023	4
23	O-ring	25-0048	3		53	Flange	38-0038	1
24	Oil Seal (See 70-0125)	26-0046	3		54	Oil Seal	26-0181	1
25	Bolt	27-8000	4		55	Lockwasher	29-0153	4
26	Retainer	46-0084	1		56	Bolt	27-8404	4
27	Oil Level Indicator	46-0574	1			Valve Kit (Inc. 6 each 12-16)	70-0028	
28	O-ring	25-0060	1			V-Packing Kit (Inc. 3 each 17-19, 21, 23)	852-0047	
29	Ball Bearing	48-0050	1			Retainer Kit (Inc. 3 each 22 & 23)	70-0125	
30	Oil Dipstick	46-0143	1					

UNLOADER ASSEMBLY (8-0216)



OMGEN193 -027395-BAR

UNLOADER ASSEMBLY (8-0216)							
REF. #	DESCRIPTION	PART #	QTY.	REF. #	DESCRIPTION	PART #	QTY.
1	Screw	27-8409	1	29	By-pass Tube	8-0223	1
2	Nut	30-3024	1	30	Cap	39-0040	1
3	Pressure Regulating Knob	7-0050	1	31	O-ring	25-0136	1
4	Spring Guide	8-0332	1	32	Valve Guide	8-0225	1
5	Spring	49-0047	1	33	Spring	49-0046	1
6	Valve Body-Brass	8-0218	1	34	Washer	28-0600	1
7	O-ring	25-0231	1	35	Orifice	8-0126	1
8	Fixing Screw-Brass	8-0224	1	36	O-ring	25-0051	1
9	Anti-Extrusion Ring	25-0137	1	37	Nipple	8-0130	1
10	O-ring	25-0138	2	38	Snap Ring	8-0229	1
11	Washer	28-0209	2	39	Injector Regulating Knob	7-0051	1
12	Pin	43-0051	1	40	Knob Insert	8-0228	1
13	Piston Guide	8-0219	1	41	Shutter	8-0227	1
14	Spring	49-0049	1	42	O-ring	25-0046	1
15	O-ring	25-0163	1	43	Spring	49-0019	1
16	Drive Piston	8-0220	1	44	O-ring	25-0120	1
17	O-ring	25-0050	3	45	Spring	49-0020	1
18	Back-up Ring	8-0284	1	46	Ball	50-0012	1
19	Valve Seat	8-0221	1	47	O-ring	25-0045	1
20	O-ring	25-0159	1	48	Washer	28-0400	1
21	Ball	8-0201	1	49	Injector Body	8-0226	1
22	O-ring	25-0160	1	50	O-ring	25-0132	2
23	Cap	39-0039	1	51	Hose Barb	8-0177	1
24	Fixing Screw	8-0222	1	52	O-ring	25-0014	1
25	O-ring	25-0053	1	53	Valve Seat	8-0174	1
26	Inlet Body	46-0242	1		Unloader Repair Kit (Includes: 5,7,9,10,14,15,17-22,25,28,31-33)	70-0020	1
27	Washer	28-0601	4		Detergent Repair Kit (Includes: 17, 35,42-47,50,52)	70-0021	1
28	O-ring	25-0161	1				